

SecureLite3

THIRD-GENERATION DUSK-TO-DAWN SECURITY

ENERGYLITE

PROJECT _____

TYPE _____

SPECIFICATION _____

- 120-277 V standard
- PF>0.90; THD<20%
- 0-10 V dimming standard; DALI-2 dimming option available
- Die-cast, low-copper aluminum alloy housing for optimal thermal performance and exceptional corrosion resistance
- Corrosion-resistant stamped-aluminum access door for toolless access into electrical chamber
- TGIC polyester super-durable powder coating on entire fixture, with superior gloss, color retention and weather resistance
- IP66 optical chamber with acrylic lens to eliminate risk of yellowing
- EnergyLite-designed short acrylic refractor option; compatible with NEMA refractor
- Built-in features for direct wall mounting without need for tenon or optional wood pole adapter
- Receptacle options:
 - ANSI C136.41 3-pin
 - ANSI C136.41 7-pin (for DALI-2 or dimming)
 - Zhaga Book 18/ANSI C136.58 (for sensors/communication)
- Available with optional IR ambient light control
- Rated for -40°C to 40°C; for 50°C option, consult factory
- ANSI C136.15 labeling standard
- 3G vibration rated (ANSI C136.31)
- UL wet location listed (E487976)
- DLC listed (Family Code VVVZUP)
- Zhaga D4i listed
- IDA Dark Sky Friendly $\leq 3000\text{K}$ and when not using short acrylic or NEMA refractor
- Consult factory for wildlife friendly options
- 5-year warranty
- BAA Compliance available; *Consult factory to confirm specific fixture code is compliant if this is a requirement*
- Designed and assembled in the U.S.A.



Projections

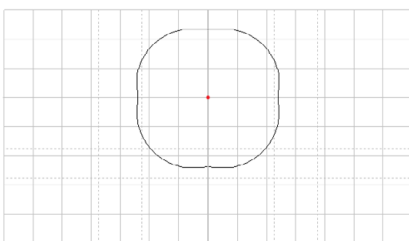
TM-21 Lumen Maintenance Projection

Calculated by utilizing the LED manufacturer's LM-80 test data in conjunction with NVLAP-accredited in-situ LED drive current and LED temperature data. All data is taken at a maximum LED drive current of 1050 mA and an ambient temperature of 25°C. Projected data is limited to 6 times the actual tested hours by the LED manufacturer (20,000 hours).

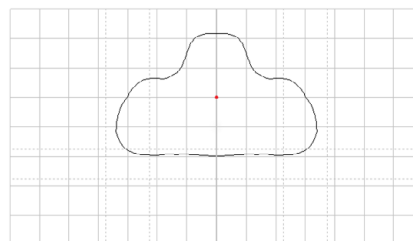
Condition	Life	Projected	Calculated	Lumen Maintenance at 100,000 Hrs
Up to 1050 mA	L90	>120,000 hrs	610,000 hrs	98.77%

Distribution Types

Type V



Type III



¹ Standard offering. Consult factory for lead and availability for other options.
 * Consult factory for lead time and availability.
 † Consult factory to verify BAA compliant products.

SecureLite3

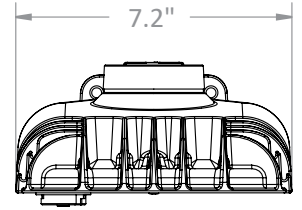
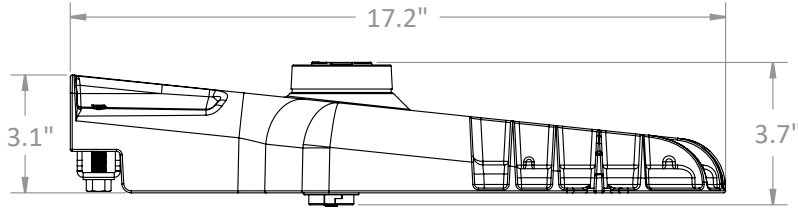
THIRD-GENERATION DUSK-TO-DAWN SECURITY

ENERGYLITE

PROJECT _____

TYPE _____

SPECIFICATION _____



EPA: 0.28 sq. ft.
Weight: 5.5 lbs.

Package	LED Drive Current (mA)	Color Temperature (CCT)	Input Power (Watts)	TYPE V AT 70 CRI (standard)			TYPE III AT 70 CRI						
				Luminous Flux Output (Nominal Lumens)	Efficacy (Lumens per Watt)	BUG Rating	Luminous Flux Output (Nominal Lumens)	Efficacy (Lumens per Watt)	BUG Rating				
3H	252	5000K	24	3864	161	B2-U0-G1	3956	165	B1-U0-G1				
		4000K		3728	155		3817	159					
		3000K		3592	150		3678	153					
		2700K		3477	145		3560	148					
4H	305	5000K	29	4609	159		B2-U0-G1	4719		163	B1-U0-G1		
		4000K		4447	153			4552		157			
		3000K		4284	148			4386		151			
		2700K		4147	143			4246		146			
5H	368	5000K	34	5283	156			B2-U0-G1		5409		159	B1-U0-G1
		4000K		5097	150					5218		154	
		3000K		4911	145					5028		148	
		2700K		4754	140					4867		143	
6H	452	5000K	42	6191	149	B2-U0-G1			6338	152		B1-U0-G1	
		4000K		5973	143				6115	147			
		3000K		5755	138				5892	141			
		2700K		5571	134				5703	137			
7H	515	5000K	47	6872	145		B2-U0-G1		7035	148	B1-U0-G1		
		4000K		6630	140				6788	143			
		3000K		6388	135				6540	138			
		2700K		6184	130				6331	134			
8H	609	5000K	56	7888	141			B3-U0-G1	8076	144			B1-U0-G1
		4000K		7611	136				7792	139			
		3000K		7333	131				7508	134			
		2700K		7098	127				7267	130			
9H	704	5000K	65	8915	138	B3-U0-G1			9127	141		B1-U0-G1	
		4000K		8601	133				8806	136			
		3000K		8287	128				8484	131			
		2700K		8022	124				8213	127			
10H	851	5000K	78	10504	134		B3-U0-G1		10754	138	B1-U0-G1		
		4000K		10134	130				10375	133			
		3000K		9764	125				9996	128			
		2700K		9452	121				9677	124			

Ordering Information

Example: SL3/5H/5S/730/STD/10/1PS/00/AL/SAR-3LS6

Fixture	Package	Distribution	CRI + CCT	Voltage	Dimming	Surge	Photocell Receptacle	Finish	Options + Accessories
SL3	3H ¹ - 3,000 4H ¹ - 4,000 5H ¹ - 5,000 6H ¹ - 6,000 7H ¹ - 7,000 8H ¹ - 8,000 9H ¹ - 9,000 10H ¹ - 10,000	5S ¹ - Type V 3M - Type III	727 ¹ - 70+ CRI, 2700K 730 ¹ - 70+ CRI, 3000K 740 ¹ - 70+ CRI, 4000K 750 ¹ - 70+ CRI, 5000K * Other CRI + CCT combinations available	STD ¹ - 120-277 V	10 ¹ - 0-10 V DA - DALI-2	1PS ¹ - 10kV 5kA, 120-277 V 2PS* - 20kV 10kA, 120-277 V	00 ¹ - none 30 - 3-pin 70 - 7 pin 0Z - Zhaga 3Z - 3-pin + Zhaga 7Z - 7-pin + Zhaga	AL ¹ - Aluminum unpainted SGY - Grey (RAL7038) MGY - Marine Grade Grey (RAL7038)	SAR - Short Acrylic Refractor WP - Wood Pole Bracket GS - Glare Shield BG - Bug Guard 3LS6 - 3-lead 6' solid wire ZT1 - 0-10 V Zhaga Ambient Light Sensor (ALS) ZT3 - 0-10 V Zhaga IR + ALS ZT3-IR18 - IR Remote Control SC - Shorting Cap PCL01 - 120-277 V Photocell, 640I, IP65 PCL02 - 120-277 V Photocell, 1280I, IP65

¹ Standard offering. Consult factory for lead and availability for other options.

* Consult factory for lead time and availability.

† Consult factory to verify BAA compliant products.

SecureLite3

THIRD-GENERATION
DUSK-TO-DAWN SECURITY

ENERGYLITE

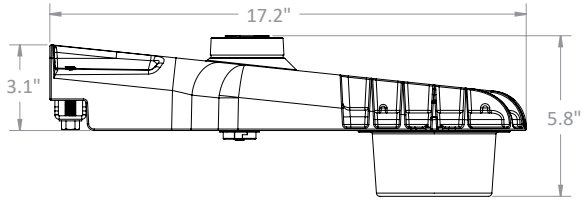
PROJECT _____

TYPE _____

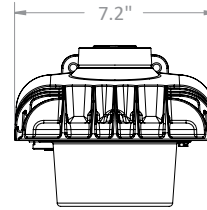
SPECIFICATION _____

ACCESSORY AND OPTION DETAILS

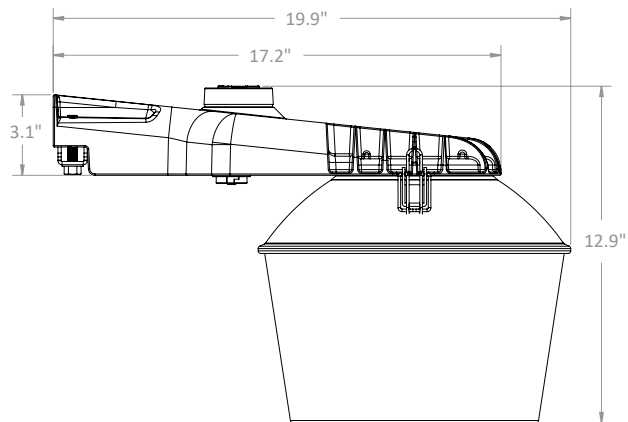
EnergyLite Short Acrylic Refractor



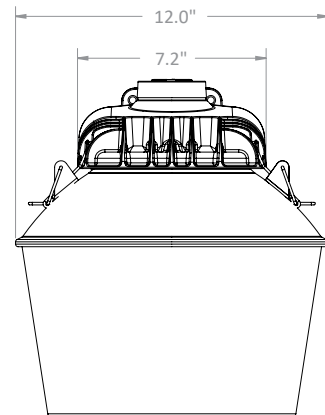
EPA: 0.35 sq. ft.



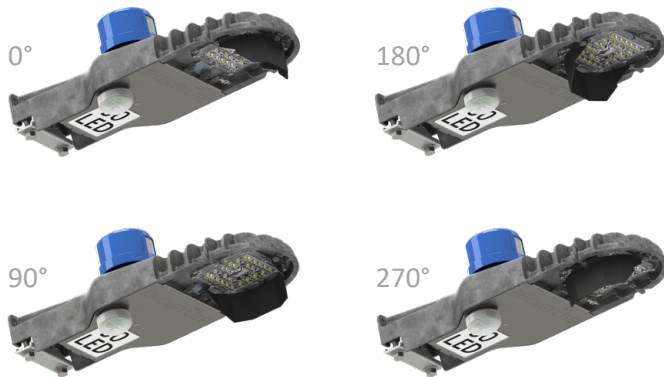
NEMA Drop Refractor



EPA: 0.94 sq. ft.



Glare Shield



Wood Pole Adapter



*Shown with Short
Acrylic Refractor*