

## PSLBB

### LED BILLBOARD LIGHT

PROJECT \_\_\_\_\_

TYPE \_\_\_\_\_

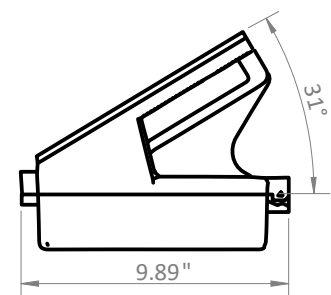
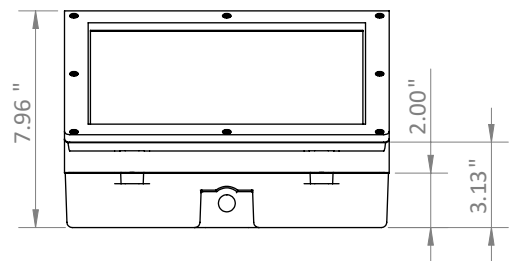
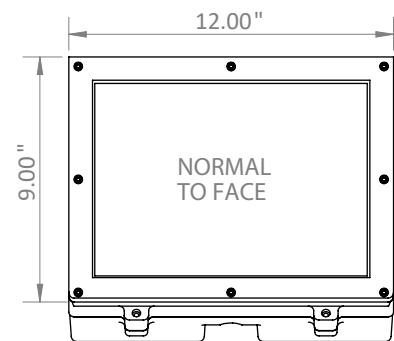
SPECIFICATION \_\_\_\_\_

- \ Field-repairable and field-upgradable to provide a long-lasting solution
- \ Unique built-in module to allow field-selectable 4 levels of lumen output for optimum illumination
- \ 20kV standard surge protection with additional built-in backup 4kV/6kV surge protection integrated
- \ Precision injected molded PMMA acrylic material utilizing refractive technology that will not yellow over time like polycarbonate materials
- \ Energy efficient light engine is mounted to an aluminum heat sink for maximum heat transfer
- \ Easily installs on existing mounting poles
- \ Limited material warranty for 10 years

- \ 5000K
- \ IP65 Rated
- \ DLC Listed
- \ UL1598 Listed (E486219)
- \ L90 > 60,000 hrs
- \ 100-277 V ; 50/60Hz
- \ >.97 Power Factor
- \ <15% Total Harmonic Distortion (Typical)
- \ -40° Min. to 45° Max. Temperature



Weight (lb.): 17.0



#### Ordering Information

Example: PSLBB/1/G/00

Fixture	Drive Current	CCT	Reserved
PSLBB	4 - 40 w 6 - 60 w 8 - 80 w 1 - 105 w	G - Grey B - Brown	00

Fixture	Product Code			Lumen Output	Luminaire Efficiency (LPW)	Standard CRI
	Input Power (Watts)	Input Voltage	Frequency (Hz)			
PSLBB	40	100 - 277	50/60	5000	123	70+
	60			7100	118	
	80			9100	114	
	105			11000	105	

## PSLBB

### LED BILLBOARD LIGHT

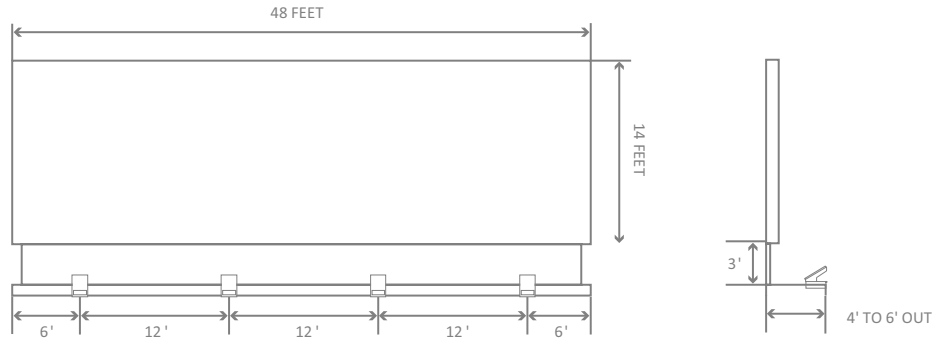
PROJECT \_\_\_\_\_

TYPE \_\_\_\_\_

SPECIFICATION \_\_\_\_\_

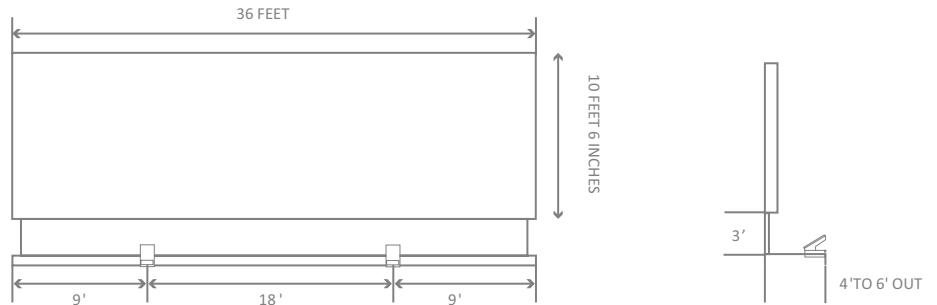
### 14' x 48' BULLETIN

Best results: Install each fixture approximately 3 feet down from the base of the copy and 4 to 6 feet from the face.



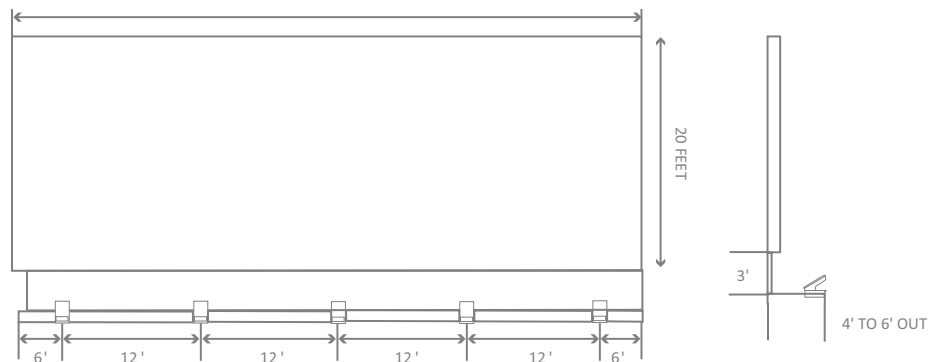
### 10.6' x 36' BULLETIN

Best results: Install each fixture approximately 3 feet down from the base of the copy and 4 to 6 feet from the face.



### 20' x 60' BULLETIN

Best results: Install each fixture approximately 3 feet down from the base of the copy and 4 to 6 feet from the face.



### POSTER PANEL

Best results: Install each fixture approximately 2 to 3 feet down from the base of the copy and 4 to 6 feet out from the face. Space one fixture in the center of the face.

