

SecureLite 3

INSTALLATION INSTRUCTIONS

ENERGYLITE



IMPORTANT: Read ALL instructions before starting installations.

CAUTION: To reduce risk of shock, **TURN OFF ELECTRICAL SUPPLY** before installing/servicing fixtures.

WARNING: Fixture must be installed in accordance of National Electrical Code (NEC) and /or any local codes.
Failure to do so may result in serious injury and/or damage to the fixture.

SAFETY INSTRUCTIONS

- **Verify that supply voltage matches the voltage marked on the fixture label. Failure to do so may result in damage to the light fixture and will void the warranty.**
- Observe and follow all label information and instructions regarding dry, damp and wet location listings, proper type and wattage, warnings of installation near combustible materials and or insulation.
- Be sure to connect ground wire to prevent electric shock or other potential hazards.
- Product must be installed in a manner consistent with the intended use and in compliance with national electrical codes and local codes.
- This product must be installed in accordance with the applicable installation code by a person familiar with the construction and operation of the product and the hazards involved.
- These instructions do not purport to cover all details or variations of installations, operation or maintenance. Contact Solais Lighting Group if a specific problem or clarification needs to be addressed that is not covered by these instructions.

RECOMMENDED TOOLS

WIRE
CUTTER/STRIPPER



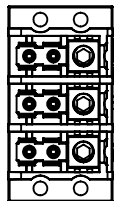
STRAIGHT
SCREWDRIVER



9/16" SOCKET
& TORQUE WRENCH



WIRING DIAGRAM

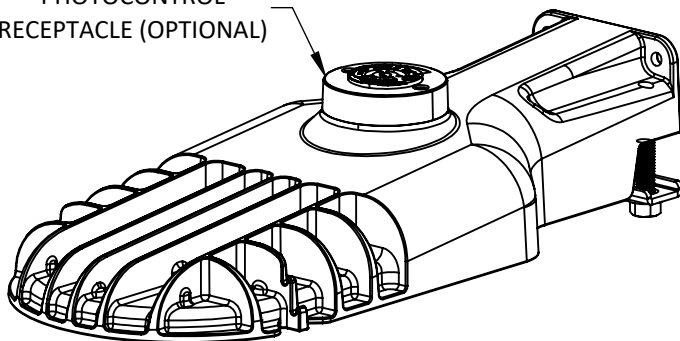


N ——— WHITE
G ——— GREEN
L ——— BLACK

* STRIP SUPPLY WIRES TO 0.25" LONG AND
INSERT INTO TERMINAL BLOCK AS SHOWN.

TERMINAL BLOCK

PHOTOCONTROL
RECEPTACLE (OPTIONAL)

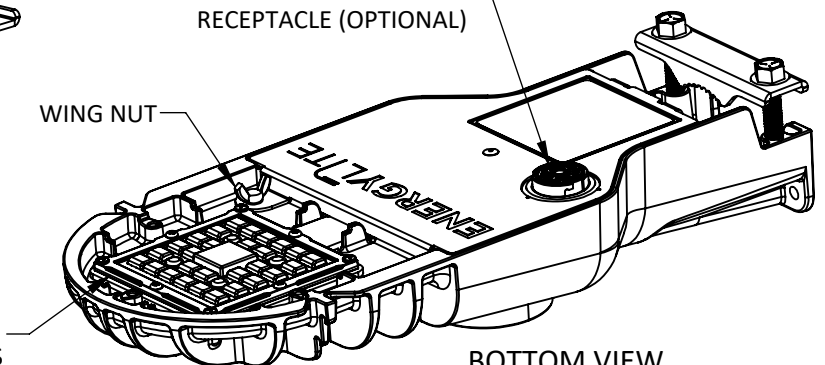


TOP VIEW

ZHAGA LOW VOLTAGE
RECEPTACLE (OPTIONAL)

WING NUT

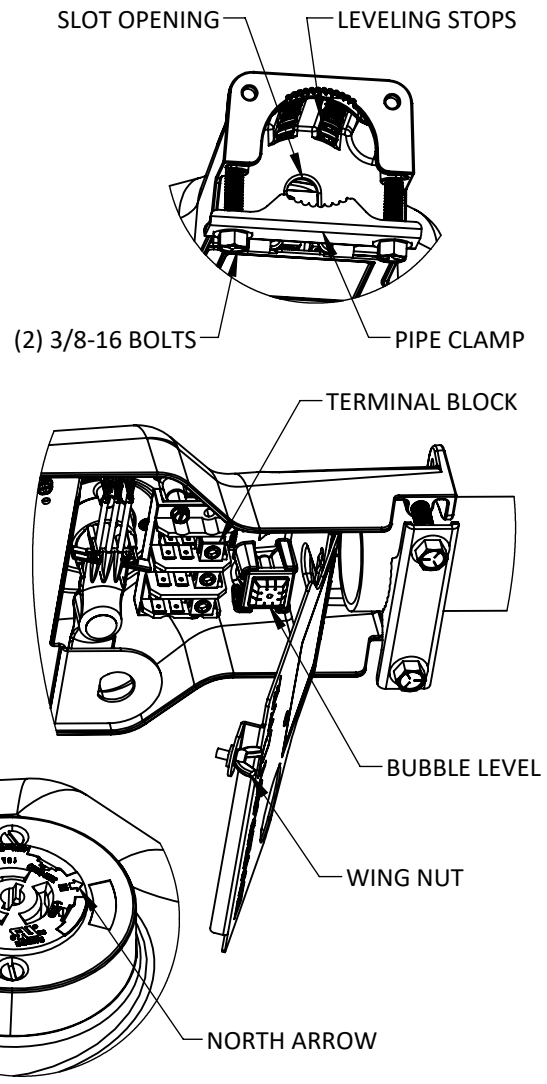
DO NOT
REMOVE OPTICS



BOTTOM VIEW

INSTRUCTIONS: SL3 FIXTURE

- Feed supply wires through slot opening and slip fixture over pole tenon (1-5/8" OD to 2-3/8" OD).
- Seat pole tenon on desired leveling stops (2.5° step increments).
- Lightly secure fixture with pipe clamp and (2) 3/8-16 mounting bolts so that further leveling can be done in the next few steps.
 - Caution: Make sure fixture doesn't fall.
- Loosen captive wing nut and open access door.
- Level fixture with the use of the bubble level provided inside the fixture.
- Next tighten the (2) 3/8-16 mounting bolts with 30-35 ft-lbs of torque. Tighten the two bolts evenly.
- Install and secure supply wires into terminal block per wire diagram on page 1.
 - Strain relief supply wires to prevent pull at connection.
- Close access door and fasten with wing nut.
 - Careful not to pinch wires.
- **Photocontrol Receptacle (option)**
 - Loosen (2) 6-32 flathead screws on receptacle cover.
 - Rotate center of receptacle with screw driver so that the arrow points in the north direction.
 - Refasten receptacle cover with (2) 6-32 flathead screws to 8-12 in-lbs.
 - Install photocell or shorting cap (not supplied).
- **Zhaga Low Voltage Receptacle (option)**
 - Install sensor (not supplied).
- Turn on power.



INSTRUCTIONS: SL3 ACCESSORIES

Ribbed Globe (optional)

- Attach globe with (3) 10-24 screws and torque to 28-32 in-lbs.

Glare Shield (optional)

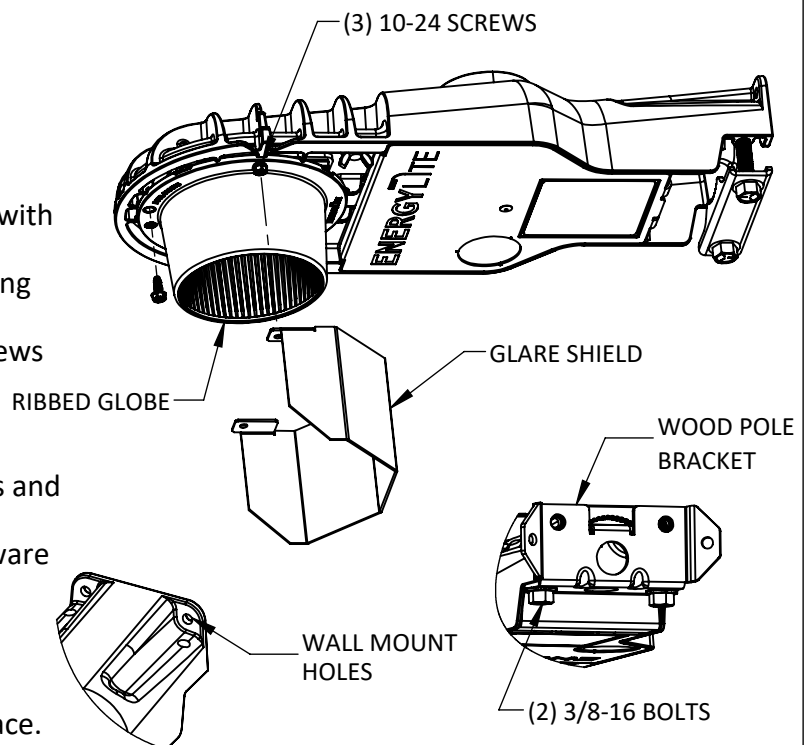
- Determine desired orientation of the glare shield with respect to the fixture (90° increments).
- Attach shield with (2) or (3) 10-24 screws depending on orientation and torque to 28-32 in-lbs.
 - If globe is attached then remove 10-24 screws and place over globe.

Wood Pole Bracket (optional)

- Remove the pre-installed pipe clamp.
- Install the wood pole bracket with (2) 3/8-16 bolts and torque to 30-35 ft-lbs.
- Attach wood pole bracket to pole with 1/4" hardware (not supplied) suited for mounting surface.

Wall Mount (optional)

- Remove the pre-installed pipe clamp.
- Use top holes in housing to secure to wall with hardware (not supplied) suited for mounting surface.



5017-000007, rev. C

Receptacle

INSTALLATION INSTRUCTIONS

ENERGYLITE



IMPORTANT: Read ALL instructions before starting installations.







CAUTION: To reduce risk of shock, **TURN OFF ELECTRICAL SUPPLY** before installing/servicing fixtures.

WARNING: Fixture must be installed in accordance of National Electrical Code (NEC) and /or any local codes.
Failure to do so may result in serious injury and/or damage to the fixture.

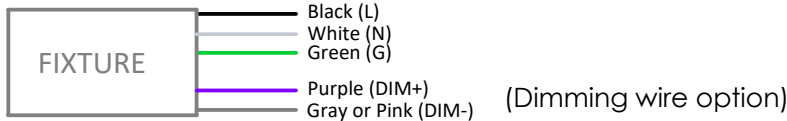
SAFETY INSTRUCTIONS

- **Verify that supply voltage matches the voltage marked on the fixture label. Failure to do so may result in damage to the light fixture and will void the warranty.**
- Observe and follow all label information and instructions regarding dry, damp and wet location listings, proper type and wattage, warnings of installation near combustible materials and or insulation.
- Be sure to connect ground wire to prevent electric shock or other potential hazards.
- Product must be installed in a manner consistent with the intended use and in compliance with national electrical codes and local codes.
- This product must be installed in accordance with the applicable installation code by a person familiar with the construction and operation of the product and the hazards involved.
- These instructions do not purport to cover all details or variations of installations, operation or maintenance. Contact Solais Lighting Group if a specific problem or clarification needs to be addressed that is not covered by these instructions.

RECOMMENDED TOOLS

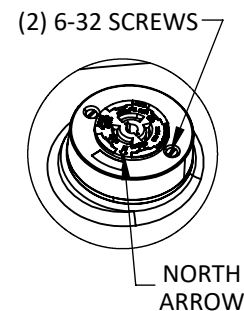
Wire Nuts 	Wire Cutter/Stripper 	Hardware <ul style="list-style-type: none">• ¼ - 20 hardware• #8 - 32 x ½" screws• ⅝ - 16 x 2" bolts 	Drill and Paper Hole Diagram 	Torx T-15 and #2 Phillips 	⅜" and ⅝" Ratchet/Socket & torque wrench 
--	---	--	---	--	---

WIRING DIAGRAM



INSTRUCTIONS:

- **Photocontrol Receptacle Adjustment**
 - Loosen (2) 6-32 screws on receptacle cover.
 - Rotate center of receptacle with screw driver so that the arrow points in the north direction.
 - Refasten receptacle cover with (2) 6-32 flathead screws to 8-12 in-lbs.
 - Install photocell or shorting cap (not supplied).



5017-000013 Rev A