



**IMPORTANT:** Read ALL instructions before starting installations.







**CAUTION:** To reduce risk of shock, **TURN OFF ELECTRICAL SUPPLY** before installing/servicing fixtures.

**WARNING:** Fixture must be installed in accordance of National Electrical Code (NEC) and /or any local codes.  
*Failure to do so may result in serious injury and/or damage to the fixture.*

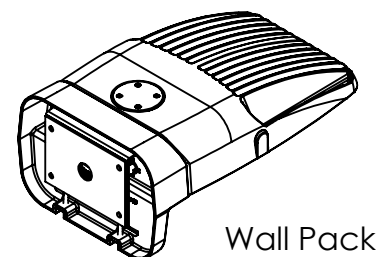
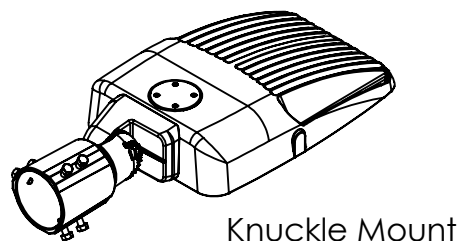
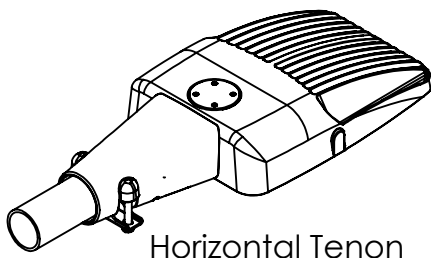
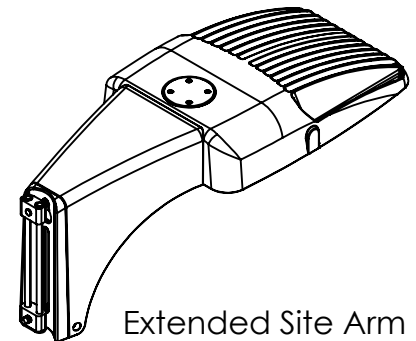
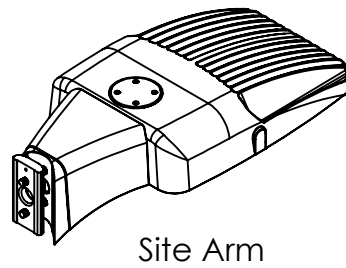
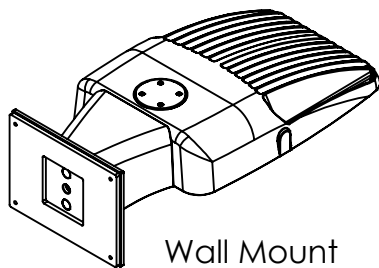
### SAFETY INSTRUCTIONS

- **Verify that supply voltage matches the voltage marked on the fixture label. Failure to do so may result in damage to the light fixture and will void the warranty.**
- Observe and follow all label information and instructions regarding dry, damp and wet location listings, proper type and wattage, warnings of installation near combustible materials and or insulation.
- Be sure to connect ground wire to prevent electric shock or other potential hazards.
- Product must be installed in a manner consistent with the intended use and in compliance with national electrical codes and local codes.
- This product must be installed in accordance with the applicable installation code by a person familiar with the construction and operation of the product and the hazards involved.
- These instructions do not purport to cover all details or variations of installations, operation or maintenance. Contact Solais Lighting Group if a specific problem or clarification needs to be addressed that is not covered by these instructions.

### RECOMMENDED TOOLS

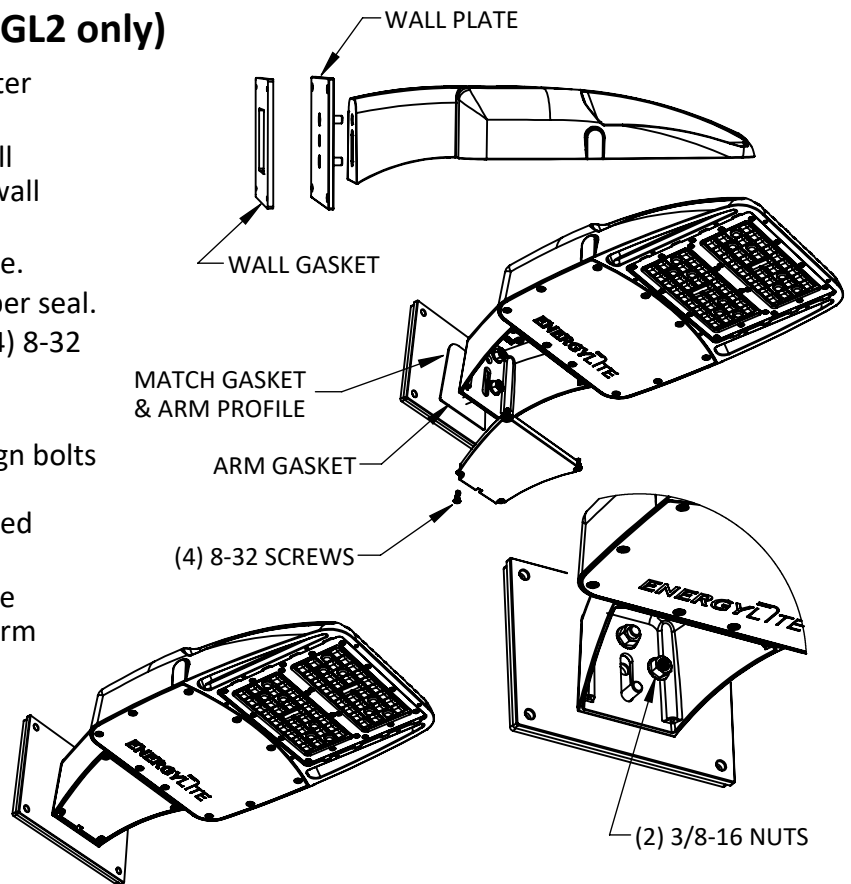
<b>Wire Nuts</b> 	<b>Wire Cutter/Stripper</b> 	<b>Hardware</b> <ul style="list-style-type: none"> <li>• ¼ - 20 hardware</li> <li>• #8 - 32 x ½" screws</li> <li>• ⅝ - 16 x 2" bolts</li> </ul> 	<b>Drill and Paper Hole Diagram</b> 	<b>Torx T-15 and #2 Phillips</b> 	<b>⅜" and ⅝" Ratchet/Socket &amp; torque wrench</b> 
--	---	--	---	--	---

### WIRING DIAGRAM



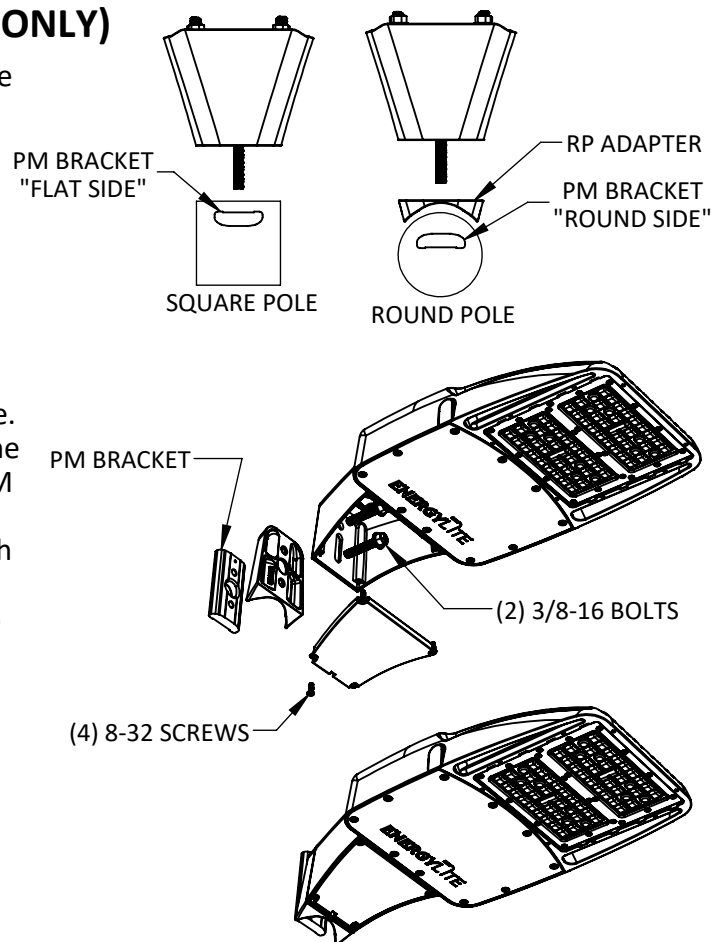
## INSTRUCTIONS: WALL MOUNT (GL1 & GL2 only)

- Feed supply wires from wall box through center opening in wall gasket and wall plate.
- Secure gasket between wall plate and the wall using (4) 1/4" hardware (not supplied). Use wall plate as drill template.
- Ensure arm gasket is attached to the wall plate.
  - Profile of gasket must match arm for proper seal.
- Remove access door from arm by removing (4) 8-32 screws.
  - Do NOT remove retaining cable.
- Feed supply wires through slot of arm and align bolts with the arm's top hole and slot.
- Secure arm using the two 3/8-16 nuts (provided with wall plate) and torque to 30-35 ft-lbs.
- Use wire nuts (not supplied) to connect fixture wires to supply wires and tuck inside access arm area.
- Replace access door and secure with original (4) 8-32 screws and torque to 18-22 in-lbs.
  - Careful not to pinch wires.
- Turn on power.



## INSTRUCTIONS: SHORT SITE ARM (GL1 & GL2 ONLY)

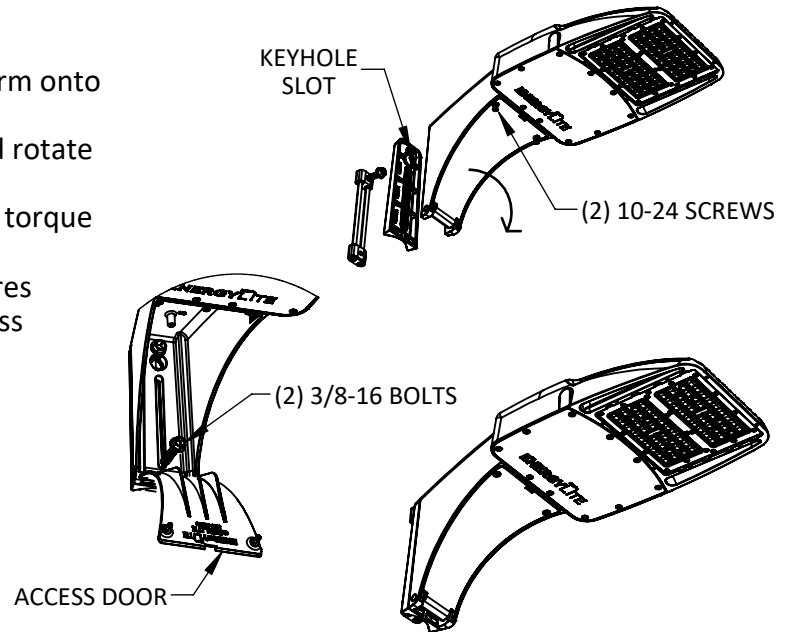
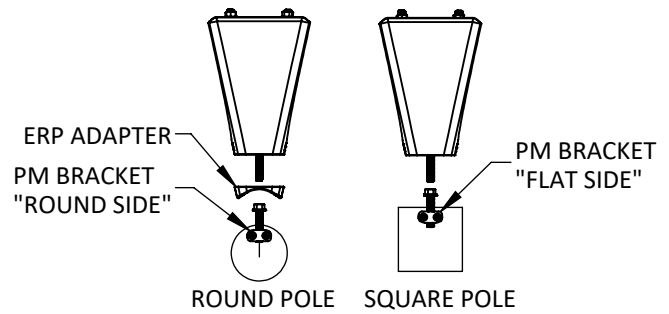
- Square pole and Round pole installation instructions are similar with differences listed below.
  - Note orientation of pole mounting (PM) bracket.
  - Note additional RP adapter for round pole mount.
- Remove access door from fixture arm by removing (4) 8-32 screws.
  - Do NOT remove retaining cable.
- Inside the pole, align the holes of the pole mounting bracket with the drilled holes of the pole. Use drill template provided.
  - Ensure PM bracket is oriented according to pole type.
- Align holes in the pole, RP adapter (if applicable) and the fixture arm so that the two bolts can thread into the PM bracket.
- Secure the fixture using two 3/8-16 bolts (provided with arm) and torque to 30-35 ft-lbs.
- Use wire nuts (not supplied) to connect fixture wires to supply wires and tuck inside pole or inside access arm area.
- Strain relief supply wires to prevent pull on wire connections.
- Replace access door and secure with original (4) 8-32 screws and torque to 18-22 in-lbs.
  - Careful not to pinch wires.
- Turn on power.



5017-000002, rev. D

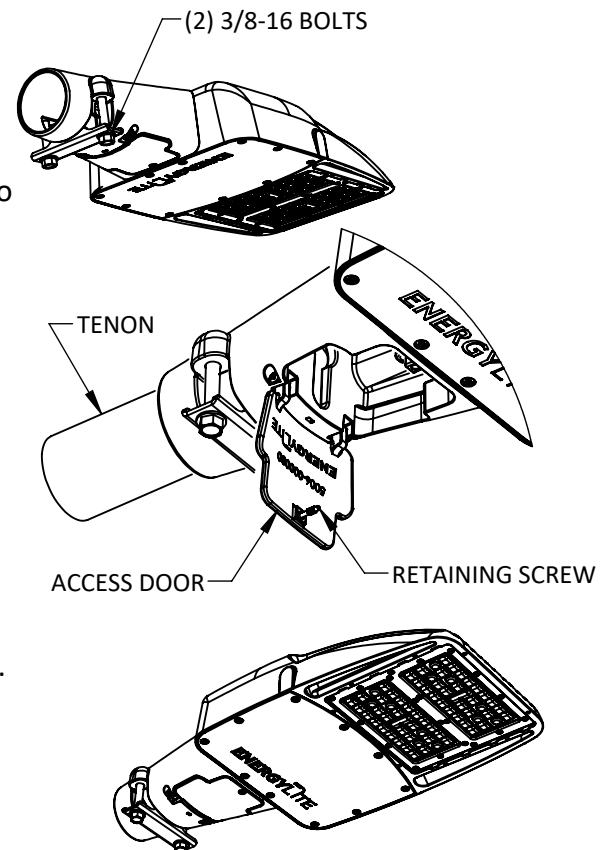
## INSTRUCTIONS: EXTENDED SITE ARM

- Square pole and Round pole installation instructions are similar with differences listed below.
  - Note orientation of pole mounting (PM) bracket.
  - Note additional ERP adapter for round pole mount.
- Inside the pole, align the holes of the pole mounting (PM) bracket with the drilled holes of the pole. Use drill template provided.
- Install a 3/8-16 bolt (provided) through the top hole in pole and thread into the pole mounting bracket.
  - Don't tighten until after mounting fixture arm.
- Mount RP adapter (if applicable) and the fixture arm onto the bolt in pole using the top keyhole slot.
- Loosen (2) captive 10-24 screws in fixture arm and rotate open the access door.
- Secure the fixture using the other 3/8-16 bolt and torque both bolts to 30-35 ft-lbs.
- Use wire nuts (not supplied) to connect fixture wires to supply wires and tuck inside pole or inside access arm area.
- Strain relief supply wires to prevent pull on wire connections.
- Secure access door with original (2) captive 10-24 screws and torque to 28-32 in-lbs.
  - Careful not to pinch wires.
- Turn on power.



## INSTRUCTIONS: HORIZONTAL TENON

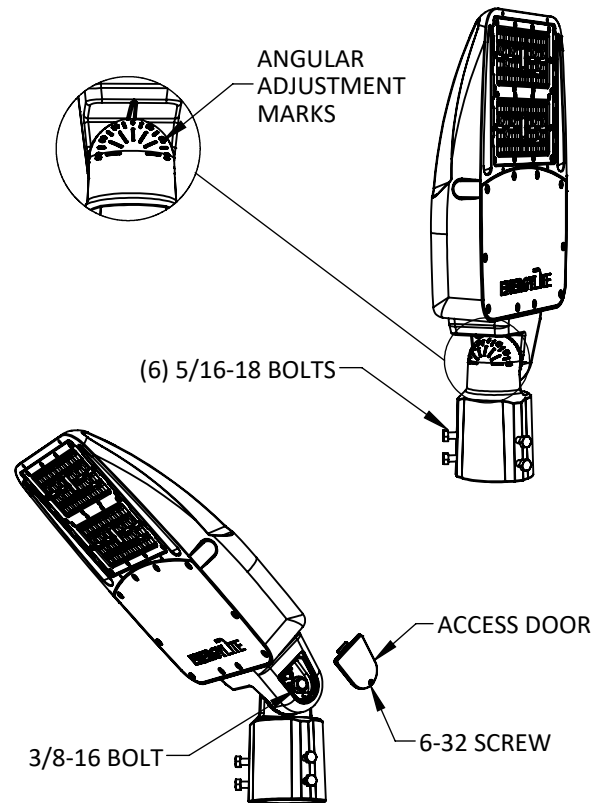
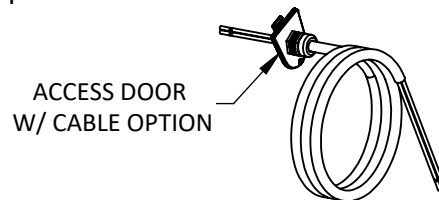
- Horizontal tenon arm designed to accept a 2" schedule 40 pipe (2-3/8" OD) but able to secure to smaller outside diameter pipe (1-5/8" minimum).
- Loosen (2) 3/8-16 bolts provided at pipe clamp bracket in order to mount fixture with horizontal tenon arm over the pole tenon.
- Slip fixture onto pole tenon until it stops against the internal keyhole wall.
  - Be careful not to pinch wires.
- Ensure fixture is aimed down or in the desired position and tighten the (2) 3/8-16 bolts with 30-35 ft-lbs of torque.
- Loosen the captive 8-32 retaining screw and swing open access door.
- Use wire nuts (not supplied) to connect fixture wires to supply wires and tuck inside pole/tenon or inside access arm area.
  - Terminal block option: Route supply wires to terminal block in access arm area and make connections.
- Strain relief supply wires to prevent pull on wire connections.
- Secure access door with captive screw and torque to 18-22 in-lbs.
- Turn on power.



5017-00002, rev. D

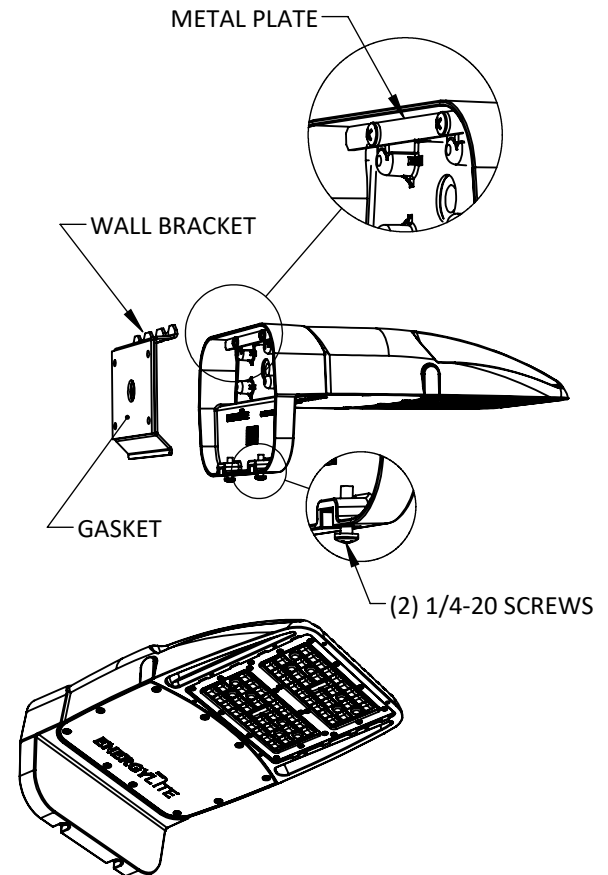
## INSTRUCTIONS: KNUCKLE MOUNT

- Loosen all (6) 5/16-18 hex head bolts on the bottom adapter.
- Prior to installing fixture on the pole/tenon, use wire nuts (not supplied) to connect fixture wires to supply wires and tuck inside the pole/tenon.
- Slip fixture onto the pole/tenon until it stops against internal wall of adapter.
  - Be careful not to pinch wires.
- Ensure fixture is aimed in the desired direction and then secure the (6) 5/16-18 bolts with 11-15 ft-lbs of torque.
- To adjust the angle of the fixture, loosen the captive 6-32 screw and remove the access door. Then loosen the center 3/8-16 bolt enough to disengage the teeth of the adapters.
- Rotate the fixture housing to the desired angle and retighten the 3/8-16 bolt with 30-35 ft-lbs of torque.
  - Note angular adjustment marks on knuckle castings and set future fixtures at the same angle if desired.
- Re-attach access door with captive 6-32 screw and torque to 8-12 in-lbs. Be careful not to pinch wires.
- Turn on power.



## INSTRUCTIONS: WALL PACK (GL1 & GL2 only)

- Use template to mark and drill for (4) 1/4" hardware suited for mounting surface. Ensure template is level.
- Feed supply wires from wall through center opening in wall bracket. Face gasket on bracket towards the wall.
- Secure wall bracket to the wall using (4) 1/4" hardware (not supplied). Tabs on bracket must be on top as shown.
- Apply RTV or silicone to seal along top and side edges of the bracket and the wall. Do NOT seal along bottom edge.
- Position supply wires to the left or right of the bracket.
- Do not fully loosen the (2) 1/4-20 screws. Keep threads protruding through casting as shown.
- Mount fixture by sliding it over the (4) tabs of the wall bracket. Metal plate inside the wall pack housing will catch on tabs.
  - Make sure fixture is secure before proceeding.
- Allow the (2) 1/4-20 screws to rest on the wall bracket with the fixture slightly tilted away from the wall.
- Use wire nuts (not supplied) to connect fixture wires to supply wires and tuck inside wall pack housing.
- Now back out the (2) 1/4-20 screws until they clear the wall bracket and position fixture parallel to the wall.
  - Careful not to pinch wires.
- Fasten fixture to wall bracket with (2) 1/4-20 screws and torque to 15 in-lbs.
- Turn on power.



5017-000002, rev. D

# Receptacle

## INSTALLATION INSTRUCTIONS

ENERGYLITE



**IMPORTANT:** Read ALL instructions before starting installations.







**CAUTION:** To reduce risk of shock, **TURN OFF ELECTRICAL SUPPLY** before installing/servicing fixtures.

**WARNING:** Fixture must be installed in accordance of National Electrical Code (NEC) and /or any local codes.  
*Failure to do so may result in serious injury and/or damage to the fixture.*

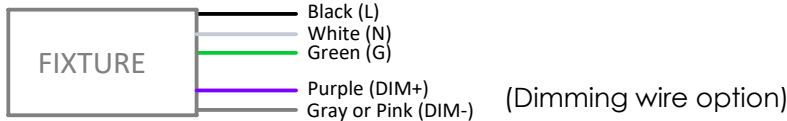
### SAFETY INSTRUCTIONS

- **Verify that supply voltage matches the voltage marked on the fixture label. Failure to do so may result in damage to the light fixture and will void the warranty.**
- Observe and follow all label information and instructions regarding dry, damp and wet location listings, proper type and wattage, warnings of installation near combustible materials and or insulation.
- Be sure to connect ground wire to prevent electric shock or other potential hazards.
- Product must be installed in a manner consistent with the intended use and in compliance with national electrical codes and local codes.
- This product must be installed in accordance with the applicable installation code by a person familiar with the construction and operation of the product and the hazards involved.
- These instructions do not purport to cover all details or variations of installations, operation or maintenance. Contact Solais Lighting Group if a specific problem or clarification needs to be addressed that is not covered by these instructions.

### RECOMMENDED TOOLS

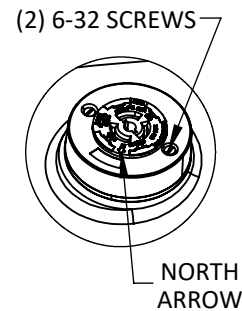
<b>Wire Nuts</b> 	<b>Wire Cutter/Stripper</b> 	<b>Hardware</b> <ul style="list-style-type: none"><li>• ¼ - 20 hardware</li><li>• #8 - 32 x ½" screws</li><li>• ⅝ - 16 x 2" bolts</li></ul> 	<b>Drill and Paper Hole Diagram</b> 	<b>Torx T-15 and #2 Phillips</b> 	<b>⅜" and ⅝" Ratchet/Socket &amp; torque wrench</b> 
--	---	--	---	--	---

### WIRING DIAGRAM



## INSTRUCTIONS:

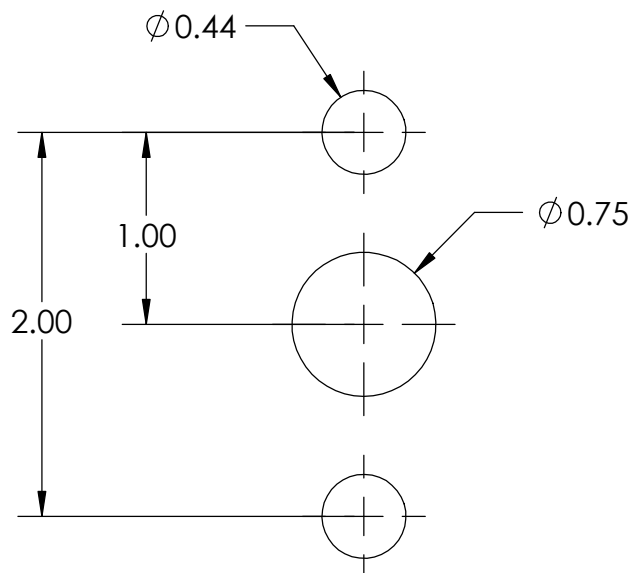
- **Photocontrol Receptacle Adjustment**
  - Loosen (2) 6-32 screws on receptacle cover.
  - Rotate center of receptacle with screw driver so that the arrow points in the north direction.
  - Refasten receptacle cover with (2) 6-32 flathead screws to 8-12 in-lbs.
  - Install photocell or shorting cap (not supplied).



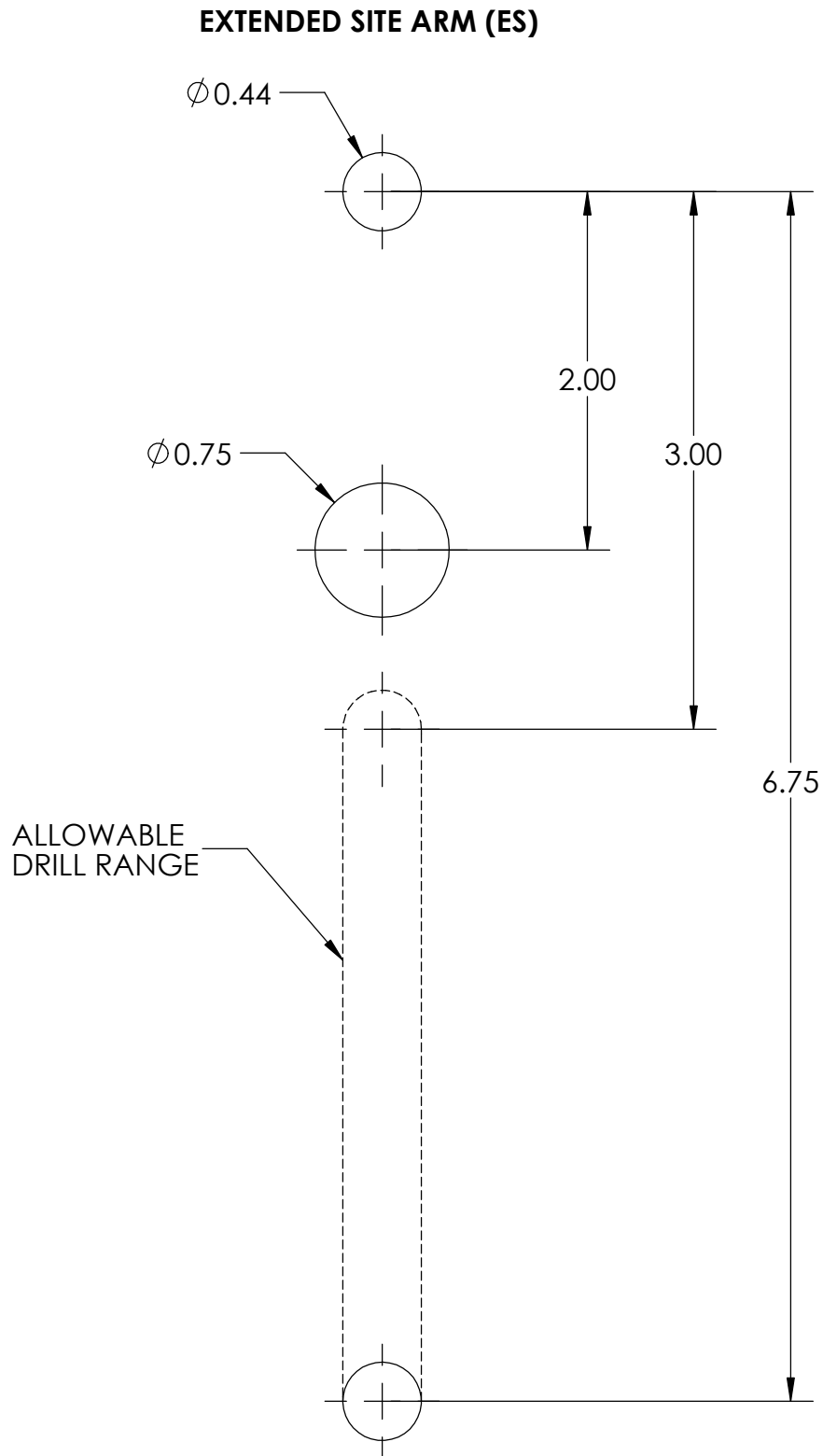
5017-000013 Rev A

- **CONFIRM PRINT IS FULL SCALE PRIOR TO USE.**
- **TOP HOLE - 2" MINIMUM FROM TOP OF POLE. CONFIRM FIT WITH POLE CAP.**

**SHORT SITE ARM (SA)**



- **CONFIRM PRINT IS FULL SCALE PRIOR TO USE.**
- **TOP HOLE - 2" MINIMUM FROM TOP OF POLE. CONFIRM FIT WITH POLE CAP.**



- **CONFIRM PRINT IS FULL SCALE PRIOR TO USE.**
- **MARK AND DRILL FOR 1/4" HARDWARE APPROPRIATELY SUITED FOR MOUNTING SURFACE.**

**WALL PACK (WP)**

